

BUDI Connectorized with FIST

Building Distribution Enclosure for Connectorized Applications

What is BUDI?

BUDI is a product range of compact, wall mountable fiber enclosures for indoor and outdoor use. They are specifically designed for fast deployment and easy customer connection. The FIST management system is a proven CommScope technology for optimal fiber organization and splicing. In combination with a patch panel, this system offers ultimate flexibility.

Available with splicing and/or patching capabilities, high connector density, small and larger footprints, the BUDI product range offers flexible solutions for a wide range of applications in the access network

Benefits

- Easy to install
- Compact and flexible design
- Fast customer connection
- Extensive product range
- Proven FIST fiber management system

Features

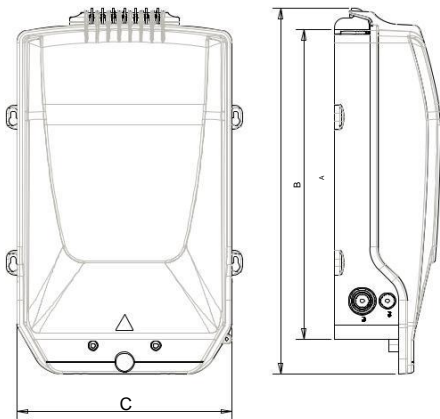
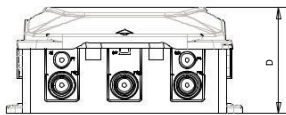
- Designed to operate in category C (controlled), category G (outdoor ground level) and category A (aerial) as characterized by IEC 61753-1
- Fire retardant, LSZH materials
- UV stable material for outdoor above ground use
- Multiple cable ports available
- Bottom cable seal blocks are wrap-around
- UMS (Universal Mounting System) available to mount single element/single circuit trays splice trays
- Compatible with pre-connectorized Mini-Breakout cable
- Allows integration of passive optical components
- Small and large footprints
- Multiple accessories available to terminate and seal different cable types
- Removable enclosure lid
- Quareo Scan Assist compatible

BUDI Connectorized with FIST

Building Distribution Enclosure for Connectorized Applications

Features		Type of BUDI				
		BUDI-2S-T	BUDI-1S-T	BUDI-S-T	BUDI-M-TP	BUDI-M-TA
UMS		2	8	24	24	24
Ports	SC	8	16	24	36	48
	LC	12	32	48	72	64
Splices	Single circuit (up to 2 splices per tray)	12	16	48	48	48
	Single element (up to 12 splices per tray)	36	48	144	144	144
Cable loop		no	yes	yes	yes	yes
Lock		lead wire	key	key	key	key
FSASA splitter integration		no	yes	yes	yes	yes
Quareo Scan Assist compatibility		yes	yes	yes	yes	yes

Dimensions



Size	BUDI-2S	BUDI-1S	BUDI-S	BUDI-M
A: Height box (mm)	260	340	425	480
B: Height cover (mm)	285	420	500	550
C: Width (mm)	155	240	295	360
D: Depth (mm)	60	120	145	175

BUDI Connectorized with FIST

Building Distribution Enclosure for Connectorized Applications

Ordering Information

Pre-configured box

BUDI-2S-T-XX XX E S

Number of adapters and pigtails*

02	SC/LC
04	SC/LC
06	SC/LC
08	SC/LC
12	LC only

Type of adapter and pigtail

S1	SC/UCP
S2	SC/APC 8°
L1	LC/UPC
L2	LC/APC

* Pigtails and adapters are included in the packaging but not pre-installed in the product

Pre-configured box

BUDI-1S-T- X - XX XX XX X X

Lock

A	No lock
B	Lock

Splice holder

S	SMOUV
N	No splice

Number of adapters and pigtails*

12	SC/LC
16	SC/LC
24	LC only
32	LC only
No adapters	

Type of tray

C	single circuit (up to 2 splices per tray)
E	single element (up to 12 splices per tray)
N	No tray

Type of adapter and pigtail

S1	SC/UCP
S2	SC/APC 8°
L1	LC/UPC
L2	LC/APC
NN	No adapters

Number of splices

16	single circuit/single element
24	single element only
32	single element only

* Pigtails and adapters are included in the packaging but not pre-installed in the product

BUDI Connectorized with FIST

Building Distribution Enclosure for Connectorized Applications

Pre-configured box

BUDI-S-T- X - XX XX XX X X

Lock

A	No lock
B	Lock

Number of adapters and pigtails*

12	SC/LC
16	SC/LC
24	SC/LC
36	LC only
48	LC only
No adapters	

Type of adapter and pigtail

S1	SC/UCP
S2	SC/APC 8°
L1	LC/UPC
L2	LC/APC
NN	No adapters

* Pigtails and adapters are included in the packaging but not pre-installed in the product

Splice holder

S	SMOUV
N	No splice

Type of tray

C	single circuit (up to 2 splices per tray)
E	single element (up to 12 splices per tray)
N	No tray

Number of splices

0	single circuit/single element
12	single circuit/single element
16	single circuit/single element
24	single circuit/single element
32	single circuit/single element
36	single circuit/single element
48	single circuit/single element

BUDI Connectorized with FIST

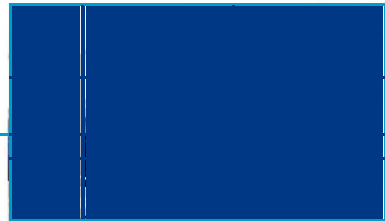
Building Distribution Enclosure for Connectorized Applications

Pre-configured box

BUDI-M- XX-X-XX XX XX X X

Patch type

TP	PAPAN integration
TA	Sliding adapter pack



Lock

A	No lock
B	Lock

Number of adapters and pigtails*

	TP		TA	
	SC	LC	SC	LC
24	SC	LC	SC	LC
36	SC	LC	SC	LC
48	/	LC	SC	LC
64	/	LC	/	LC
72	/	LC	/	/

* Pigtails and adapters are included in the packaging but not pre-installed in the product

Splice holder

S	SMOUV
N	No splice

Type of tray

C	single circuit (up to 2 splices per tray)
E	single element (up to 12 splices per tray)
N	No tray

Number of splices

00	single circuit/single element
24	single circuit/single element
36	single circuit/single element
48	single circuit/single element
72	single element only

Adapter and pigtail type

S1	SC/UPC
S2	SC/APC 8°
L1	LC/UPC
L2	LC/APC
NN	No adapters

Accessory required for BUDI-M-TA

BUDI-M-APACK - 12 - XX - X

Number of connections

12

Adapter and pigtail type

S1	SC/UPC
S2	SC/APC 8°
L1	LC/UPC*
L2	LC/APC*

* In case of 12 LC connections, the adapters are split over 2 sliding adapter packs

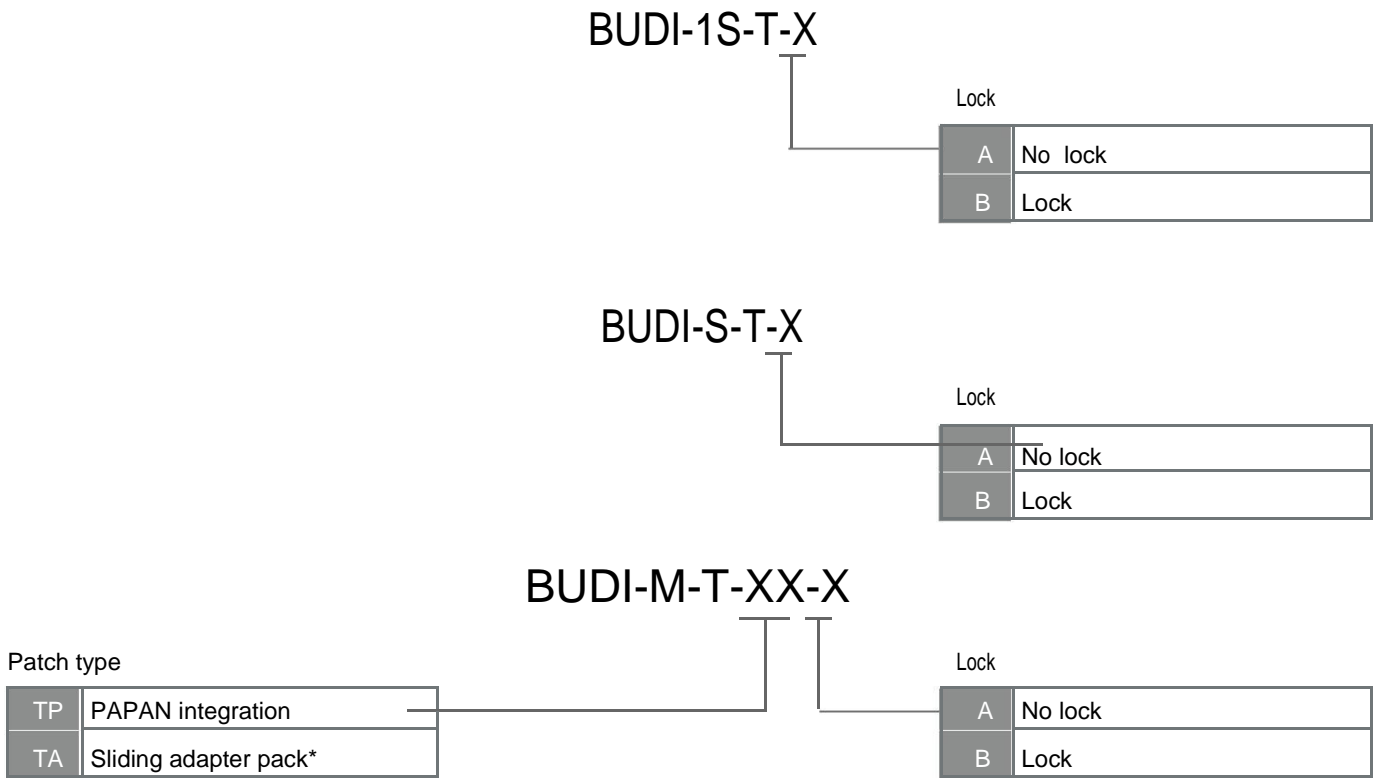
Configuration

A	Adapters only
P	Pigtails & adapters

BUDI Connectorized with FIST

Building Distribution Enclosure for Connectorized Applications

Empty boxes



* Only sliding adapter pack holders included.



commscope.com

Visit our website or contact your local CommScope representative for more information.

© 2016 CommScope, Inc. All rights reserved.

BUDI, SMOUV and all trademarks identified by ® or ™ are registered trademarks or trademarks, respectively, of CommScope, Inc.

This document is for planning purposes only and is not intended to modify or supplement any specifications or warranties relating to CommScope products or services. PS-318900.3-EU (06/16)